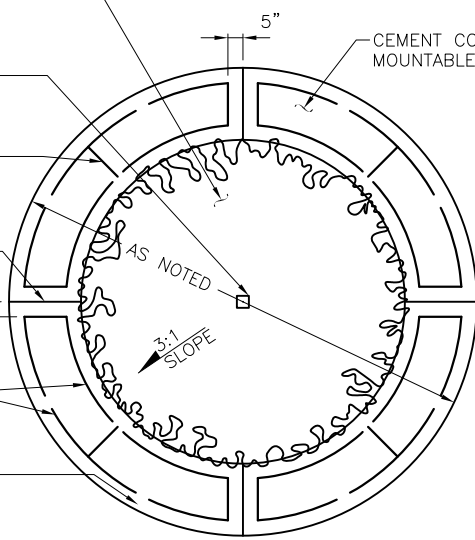
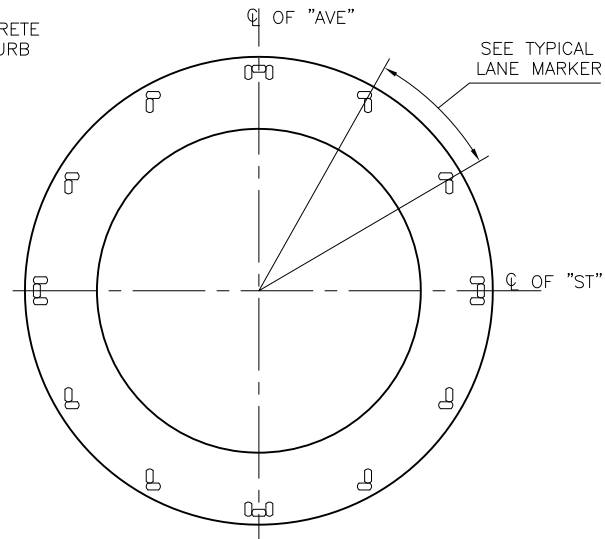


PLANT MATERIAL  
 OBJECT MARKER, SIGN CODE, W-81 (P4-10) SEE STD PLAN NO 626  
 (3) #3 CURB DOWELS (TYP BETWEEN JOINTS)  
 THROUGH JOINTS USE 4 FOR <20'-0" DIA USE 8 FOR ≥20'-0" DIA  
 (2) #3 BARS (TYP BETWEEN JOINTS)  
 LANE MARKERS, TYPE 2B SEE REFLECTOR LAYOUT DIAGRAM RIGHT



TYPICAL TRAFFIC CIRCLE

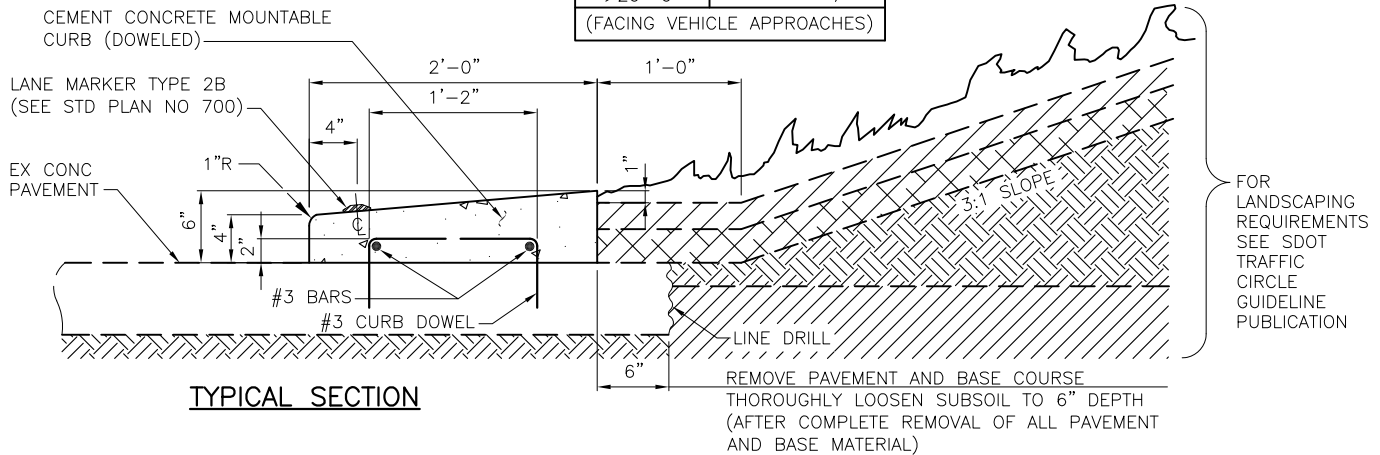


TRAFFIC CIRCLE REFLECTOR LAYOUT

SPACING CHART

DIAMETER OF CIRCLE	DEGREE OF SPACING
≤12'-0"	EVERY 45°
≤20'-0"	EVERY 30°
>20'-0"	EVERY 22 1/2°

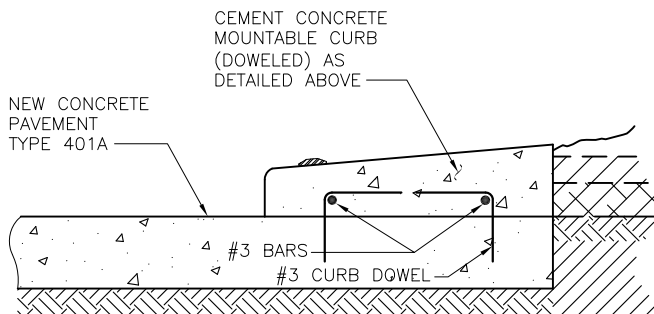
(FACING VEHICLE APPROACHES)



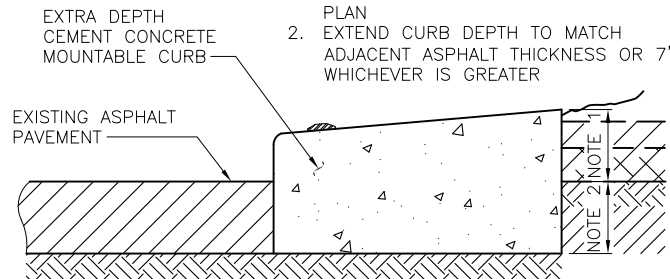
TYPICAL SECTION

NOTES:

1. DIMENSIONS ABOVE PAVEMENT EXTENSION TO MATCH SECTION DETAILED ELSEWHERE ON THIS STD PLAN
2. EXTEND CURB DEPTH TO MATCH ADJACENT ASPHALT THICKNESS OR 7" WHICHEVER IS GREATER



SEE TYP SECTION ABOVE FOR DIMENSIONS



TYPICAL SECTIONS

REF STD SPEC SEC 8-02, 8-04, 8-08



City of Seattle

NOT TO SCALE

TRAFFIC CIRCLE DETAILS